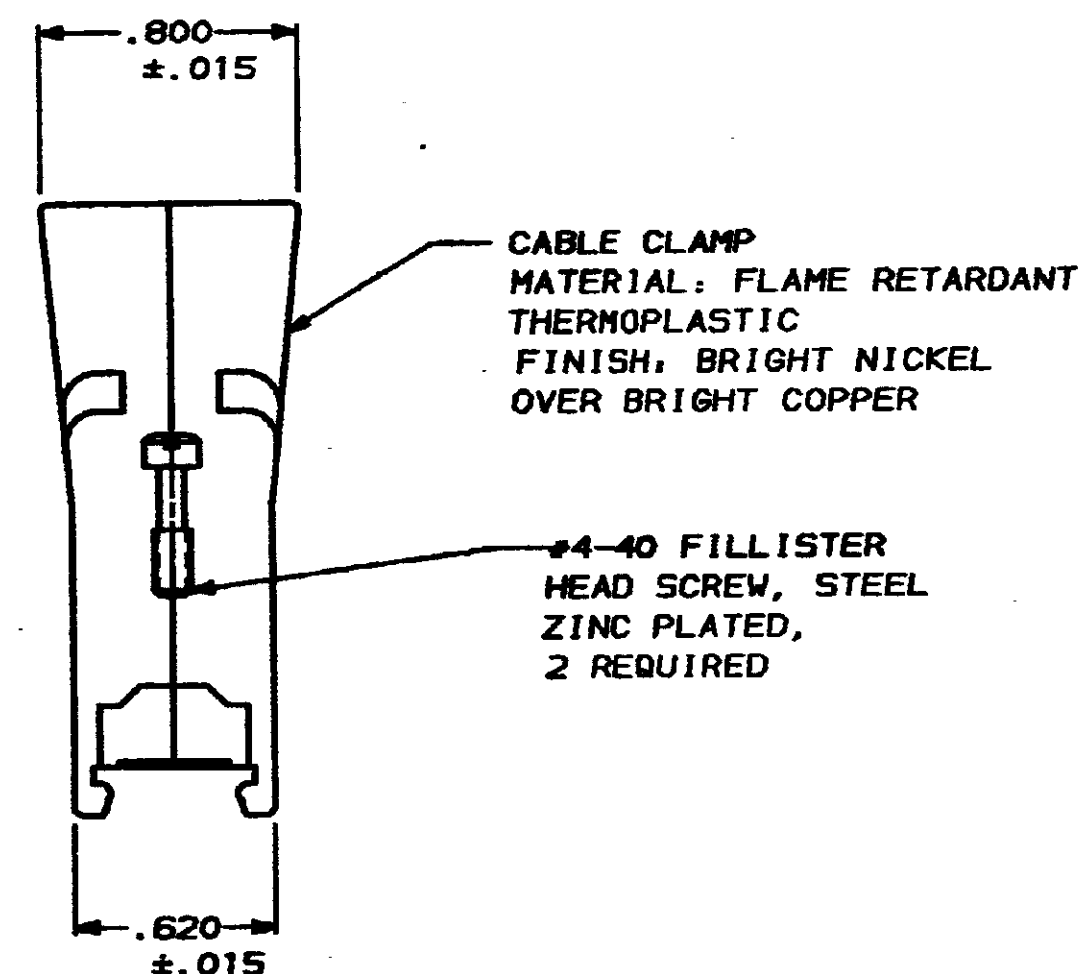
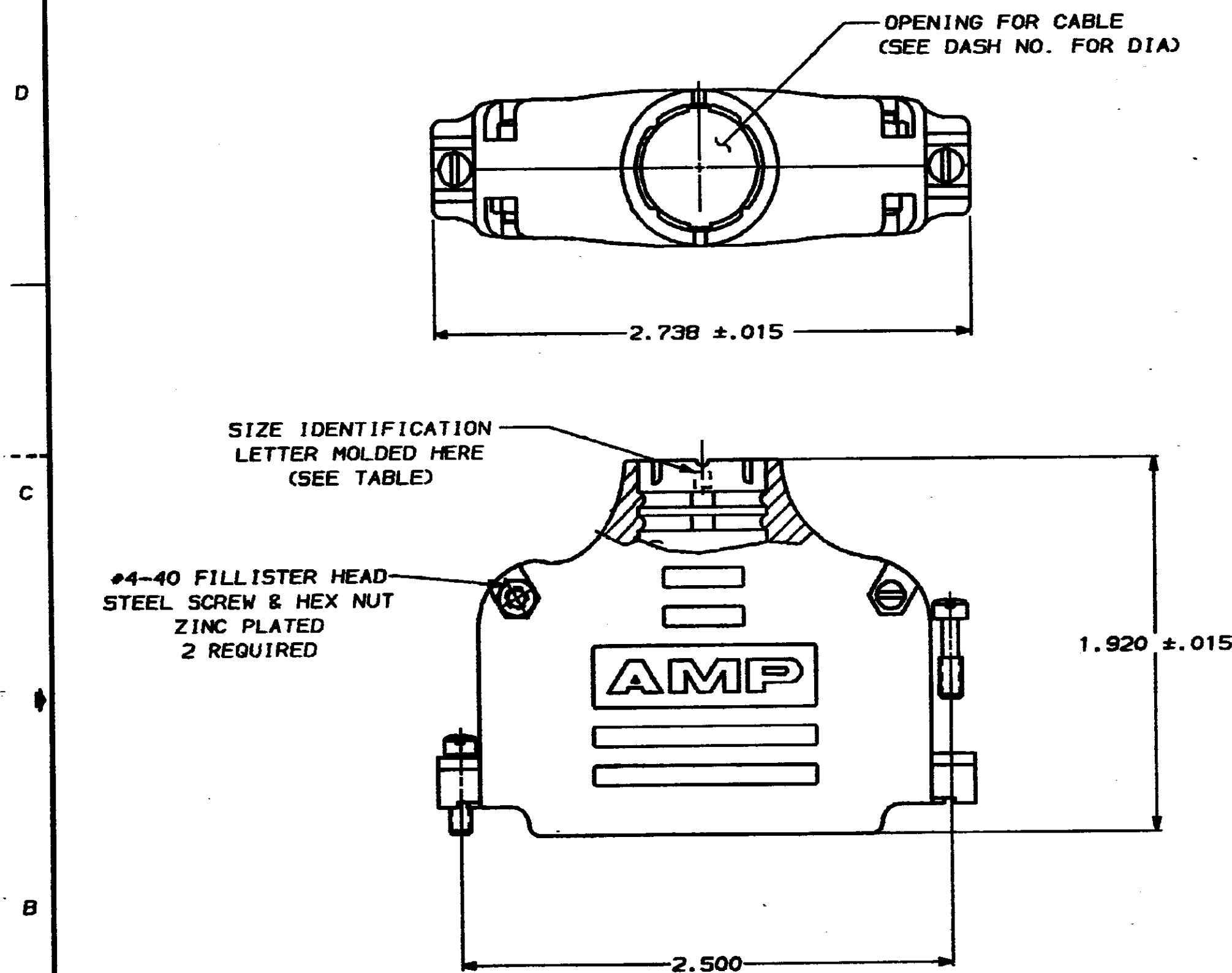


REV	DES	DATE	BY	CHK	ZONE	LTR	DESCRIPTION	DATE	APPD
22	BD	39				B	REDRAWN	7/23/90	-



△	P	.530	1-747100-0	1-747100-1
	F	.350	747100-8	747100-9
	J	.425	747100-6	747100-7
	N	.500	747100-4	747100-5
	R	.575	747100-2	747100-3
	T	.650		747100-1
REMARKS	SIZE IDENT	CABLE DIA	BULK PACKED KIT NO. △	INDIVIDUAL KIT NO. △

- △ ALL PARTS PACKAGED UNASSEMBLED.
 △ AS SHOWN ABOVE THIS KIT CONSISTS OF 2 STRAIN RELIEF HALVES, 2 #4-40 SCREWS, 2 #4-40 NUTS & 2 #4-40 MOUNTING SCREWS.
 △ SAME AS SHOWN EXCEPT, EACH PART IS INDIVIDUALLY BULK PACKED FOR MULTIPLE KIT ORDERS.
 △ OBSOLETE.

DO NOT SCALE PRINT. UNLESS SPECIFIED DIMENSIONS IN INCHES. TOLERANCES ON: 2 PLC DEC ±.005, 3 PLC DEC ±.005, ANGLES ±.

DR 7/23/90 A. STAUD BG
 CHK J. Muller 9-10-90
 APPD J. Muller 9-10-90
 APPRO J. Muller 9/10/90
 PRODUCT SPEC

AMP INCORPORATED Harrisburg, Pa. 17105

NAME: CABLE CLAMP KIT, SIZE 4, 37 POSITION, 180° AMPLITE™ SERIES, PLATED PLASTIC

FINISH: SEE CALLOUT
 MATERIAL: SEE CALLOUT

APPLICATION SPEC: -
 WEIGHT: -

SIZE: C
 FSCH NO: 00779
 SCALE: 4:1

DRAWING NO: 747100
 SHEET: 1 OF 1

CUSTOMER DRAWING